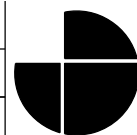


**PWS-1**

PLATE WET SEAL  
BUILDING ISOMETRIC

Date: 5/17/16

Scale: NTS



ARCHITECTURAL  
INNOVATIVE  
METALS

SOLID SUBSTRATE FOR FASTENING

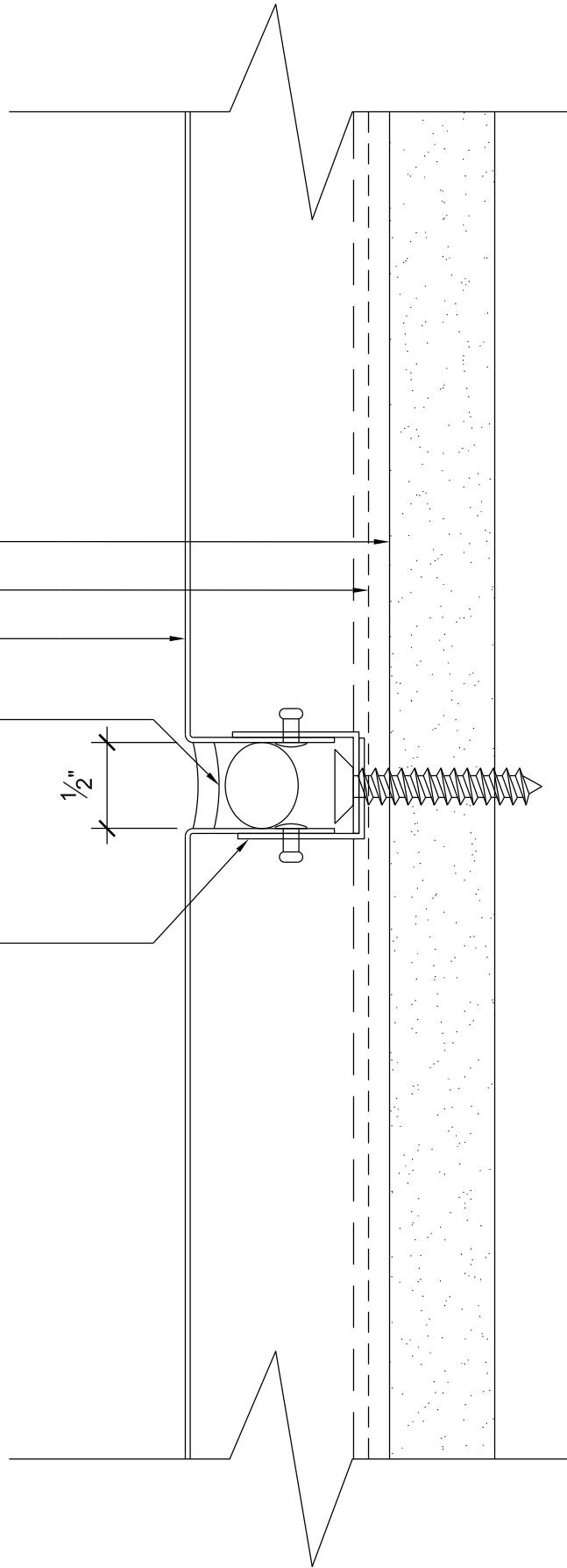
AIR/VAPOR BARRIER

PREFINISHED STEEL OR ALUMINUM  
PLATE PANEL

SEALANT AND BACKER ROD

1/2"

PANEL FASTENING CLIPS

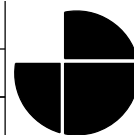


**PWS-2**

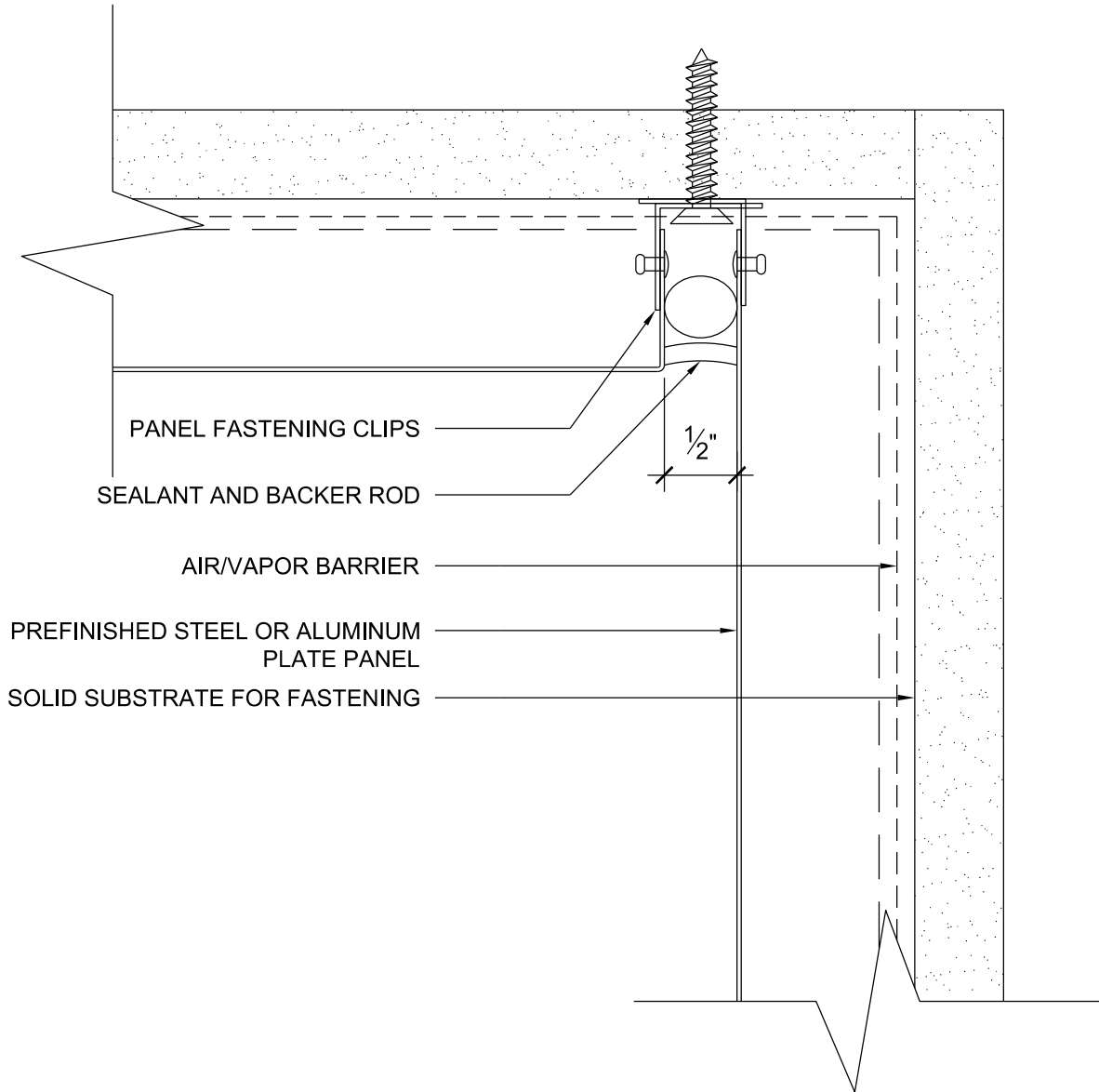
PLATE WET SEAL  
PANEL JOINT DETAIL

Date: 5/17/16

Scale: NTS



ARCHITECTURAL  
INNOVATIVE  
METALS

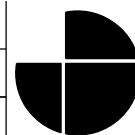


**PWS-3**

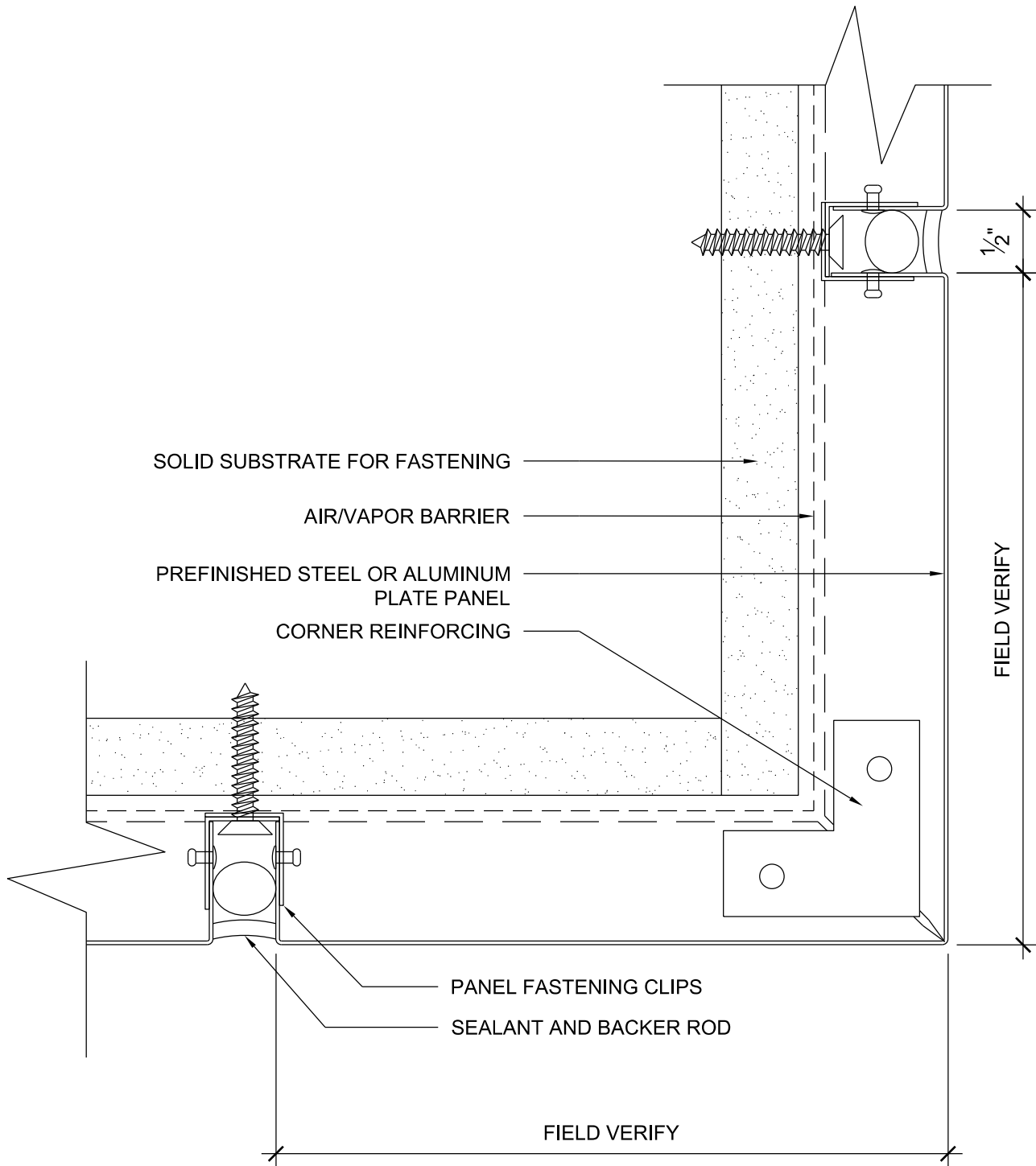
PLATE WET SEAL  
 INSIDE CORNER DETAIL

Date: 5/17/16

Scale: NTS



ARCHITECTURAL  
 INNOVATIVE  
 METALS

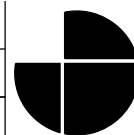


**PWS-4**

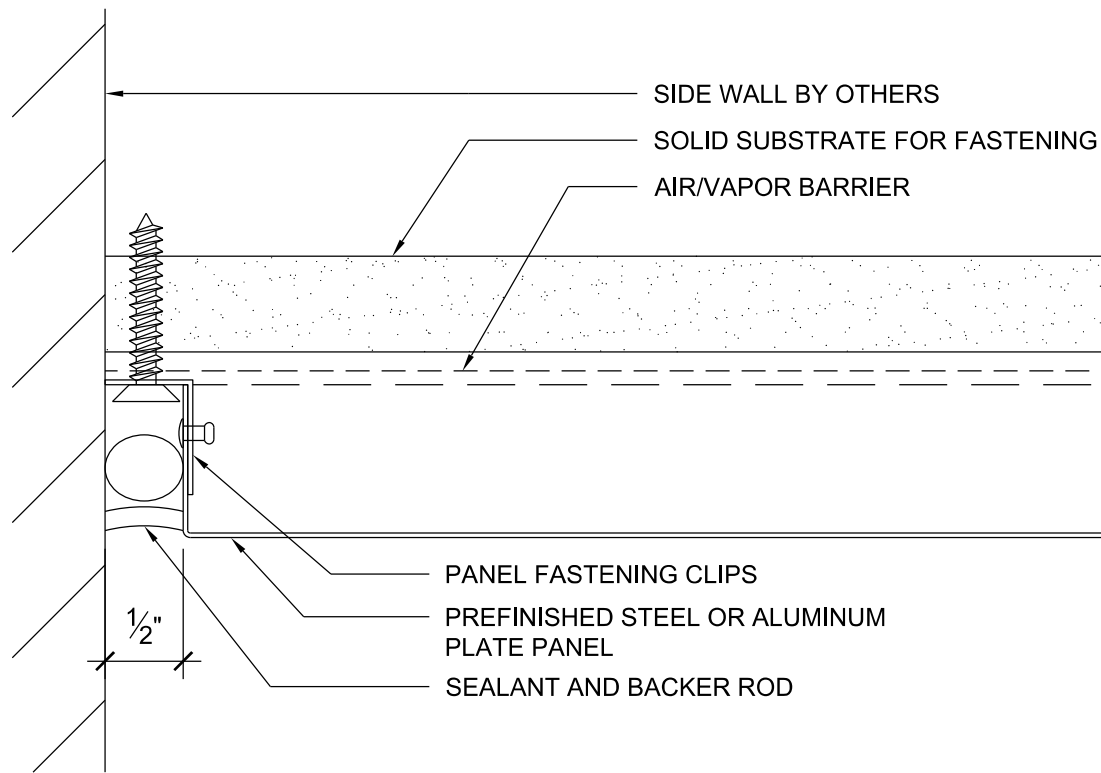
PLATE WET SEAL  
OUTSIDE CORNER DETAIL

Date: 5/17/16

Scale: NTS



ARCHITECTURAL  
INNOVATIVE  
METALS

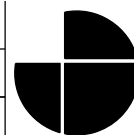


**PWS-5**

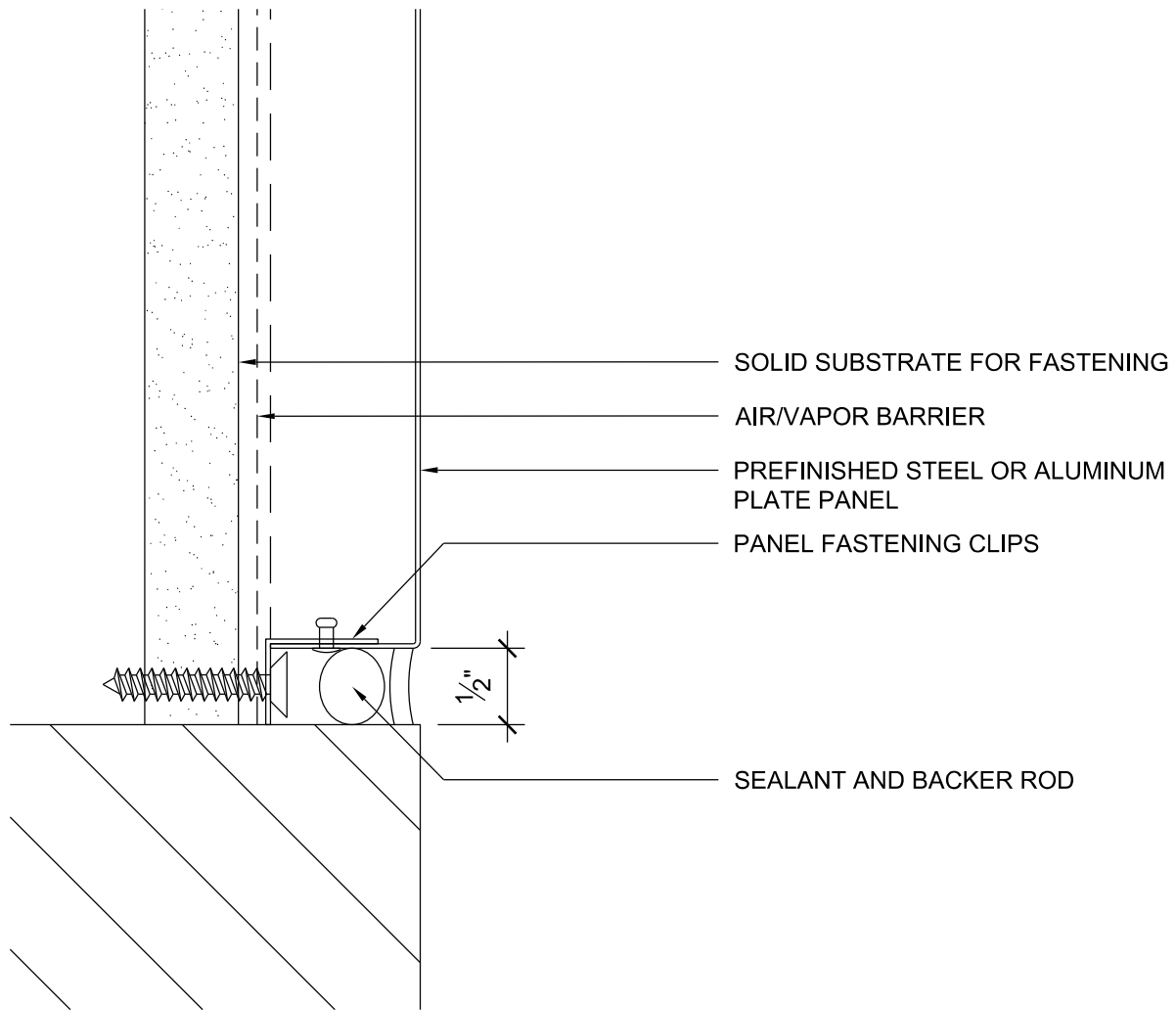
PLATE WET SEAL  
 SIDEWALL DETAIL

Date: 5/17/16

Scale: NTS



ARCHITECTURAL  
 INNOVATIVE  
 METALS

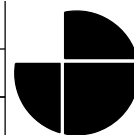


**PWS-6**

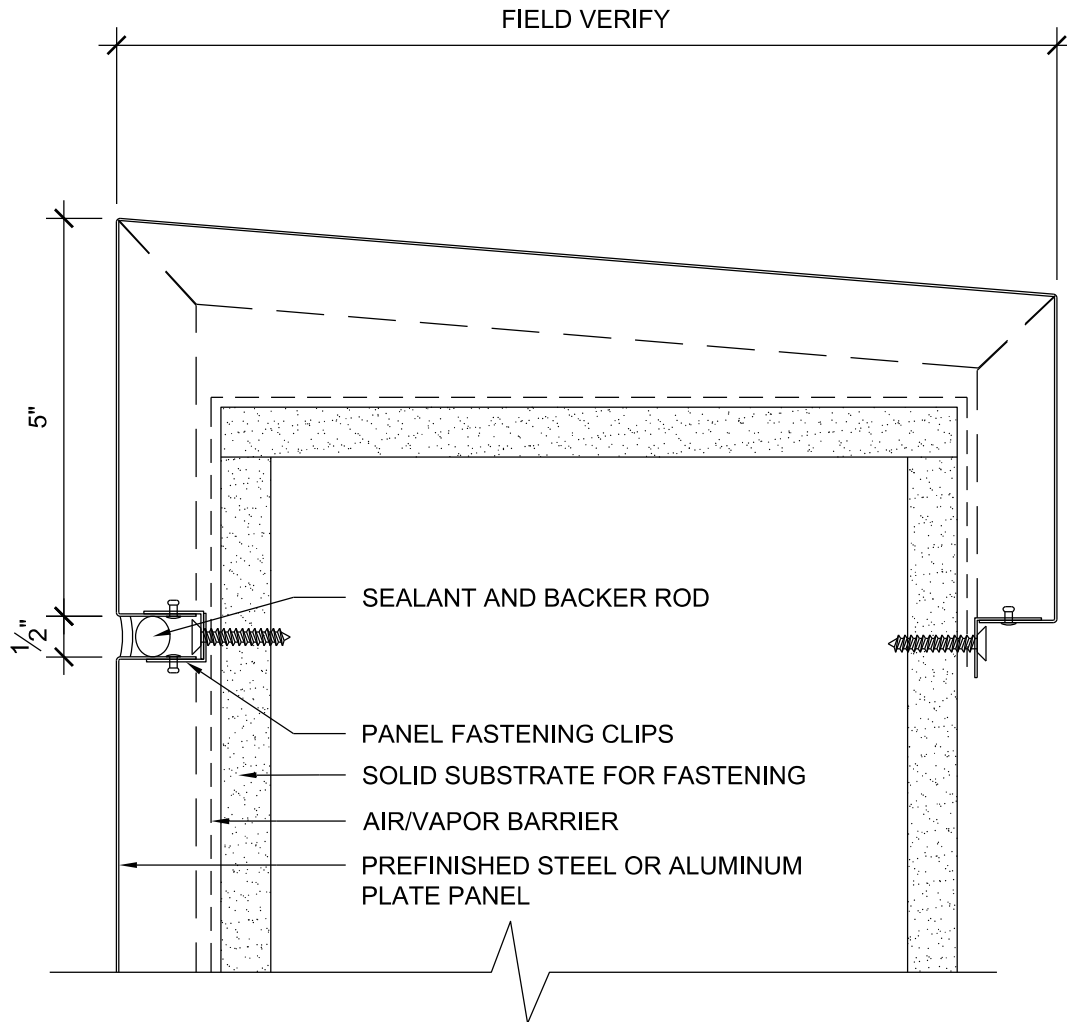
PLATE WET SEAL  
SILL DETAIL

Date: 5/17/16

Scale: NTS



ARCHITECTURAL  
INNOVATIVE  
METALS

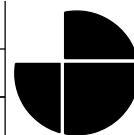


**PWS-7**

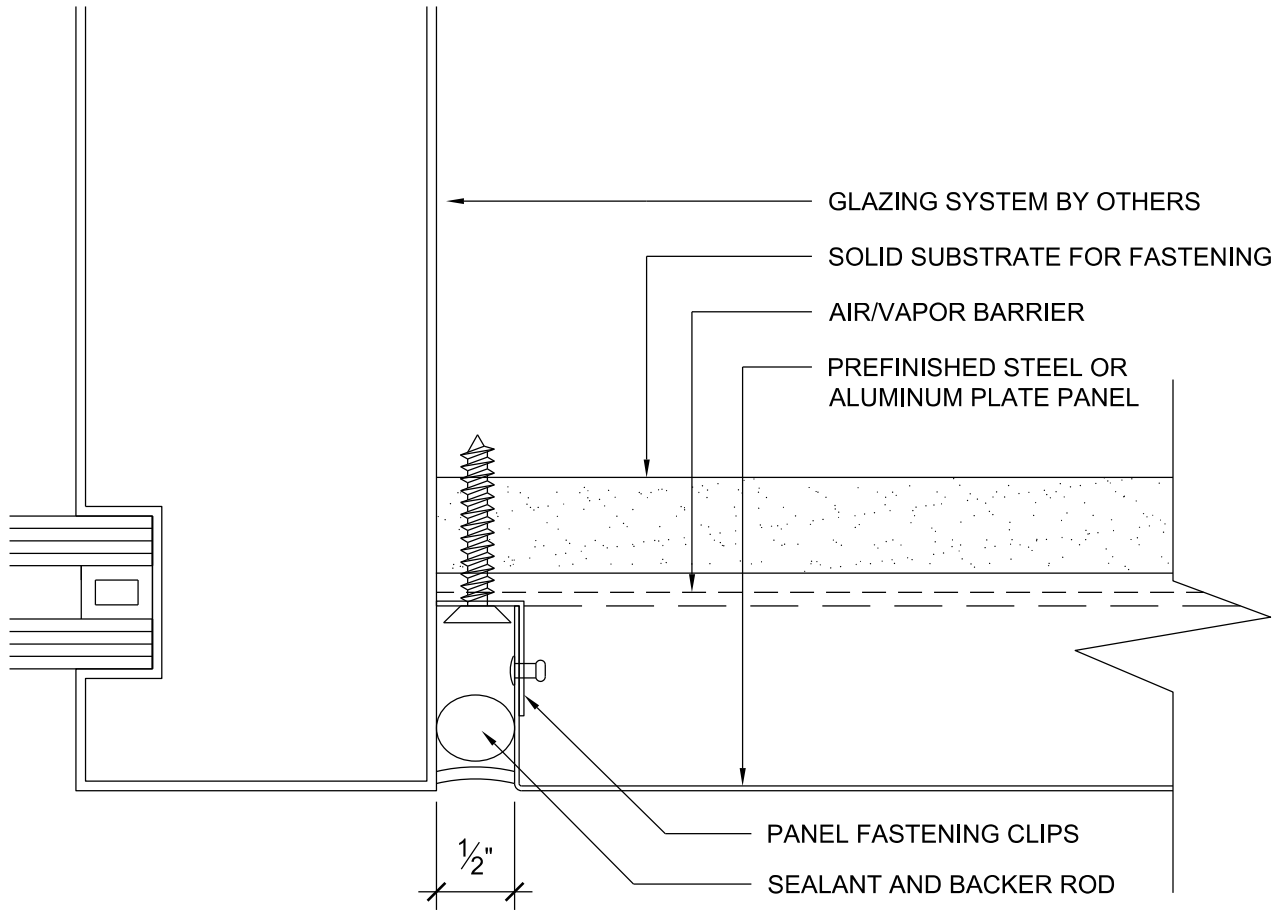
PLATE WET SEAL  
COPING DETAIL

Date: 5/17/16

Scale: NTS



ARCHITECTURAL  
INNOVATIVE  
METALS

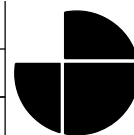


**PWS-8**

PLATE WET SEAL  
GLAZING DETAIL

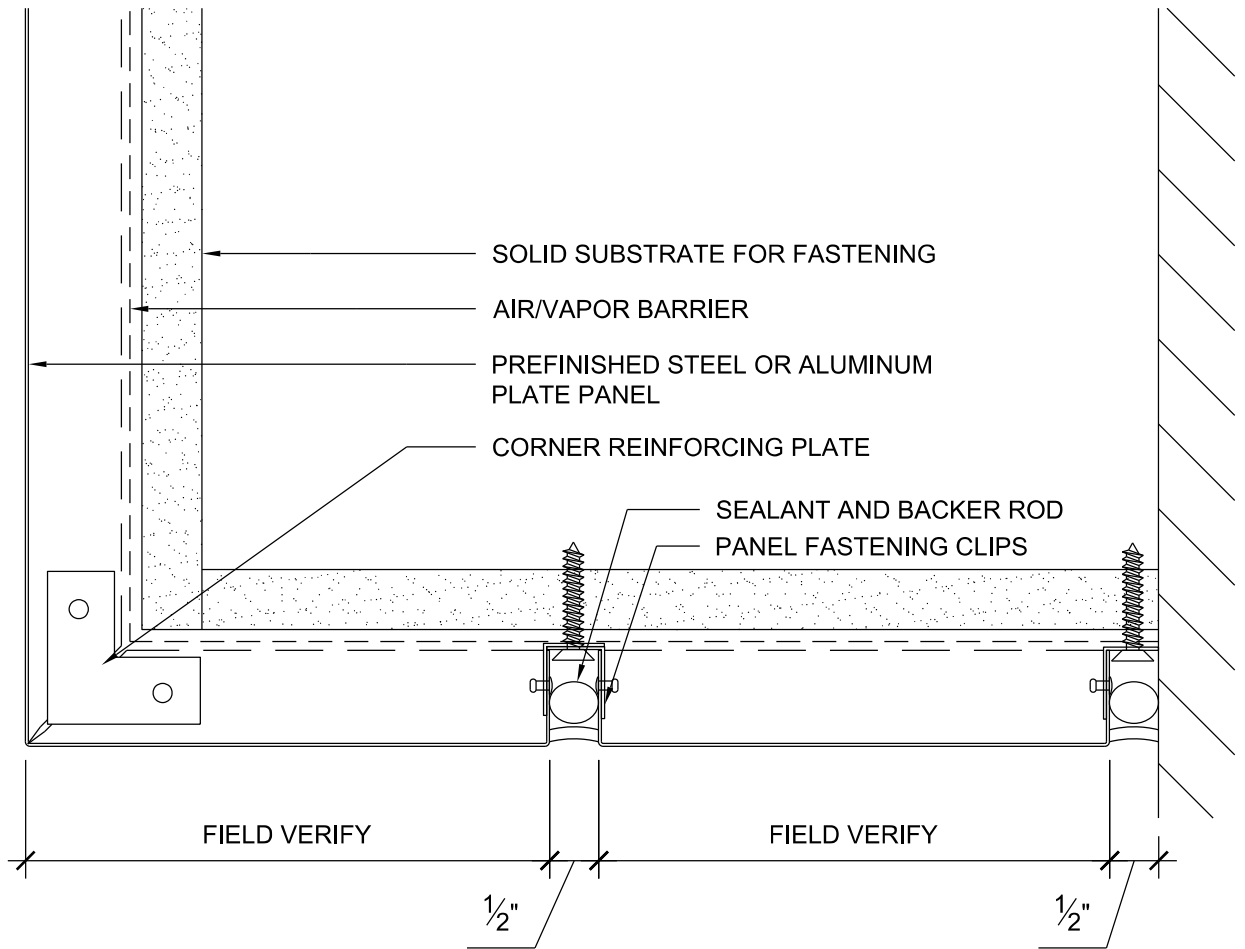
Date: 5/17/16

Scale: NTS



ARCHITECTURAL  
INNOVATIVE  
METALS



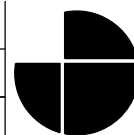


**PWS-9**

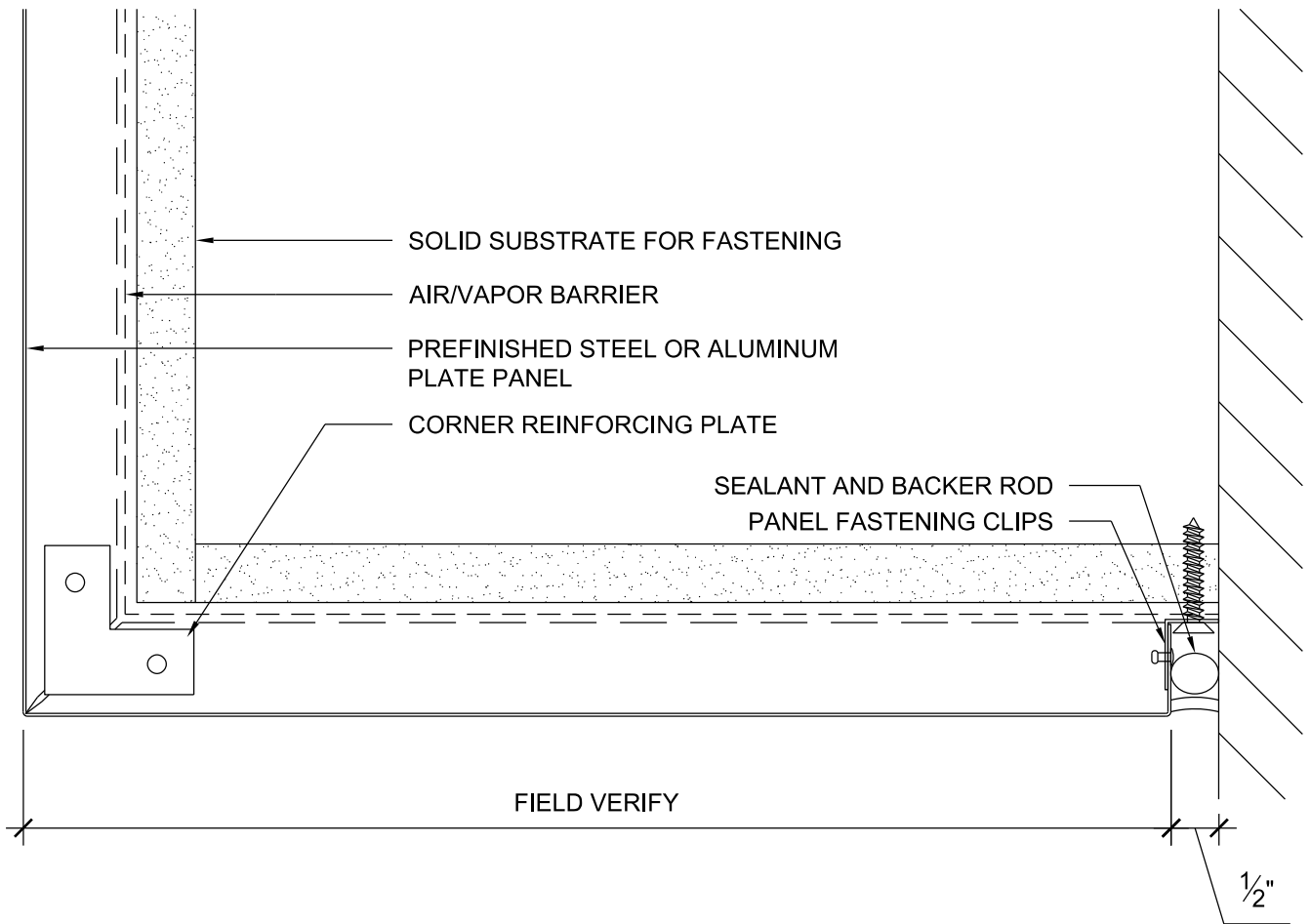
PLATE WET SEAL  
SOFFIT OPTION 1

Date: 5/17/16

Scale: NTS



ARCHITECTURAL  
INNOVATIVE  
METALS

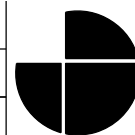


**PWS-10**

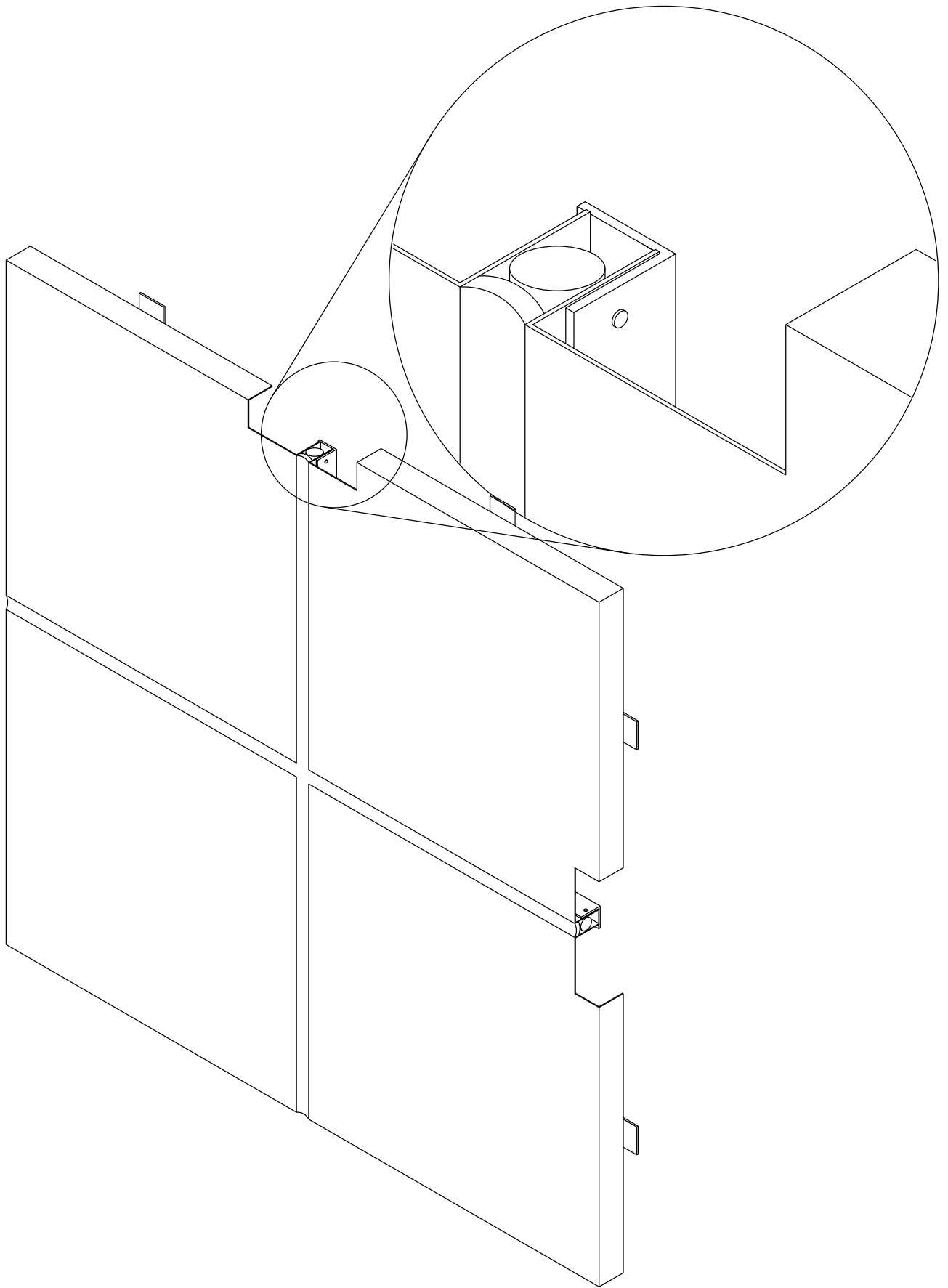
PLATE WET SEAL  
SOFFIT OPTION 2

Date: 5/17/16

Scale: NTS



ARCHITECTURAL  
INNOVATIVE  
METALS

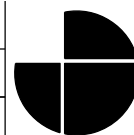


**PWS-11**

PLATE WET SEAL  
JOINT ISOMETRIC

Date: 5/17/16

Scale: NTS



ARCHITECTURAL  
INNOVATIVE  
METALS